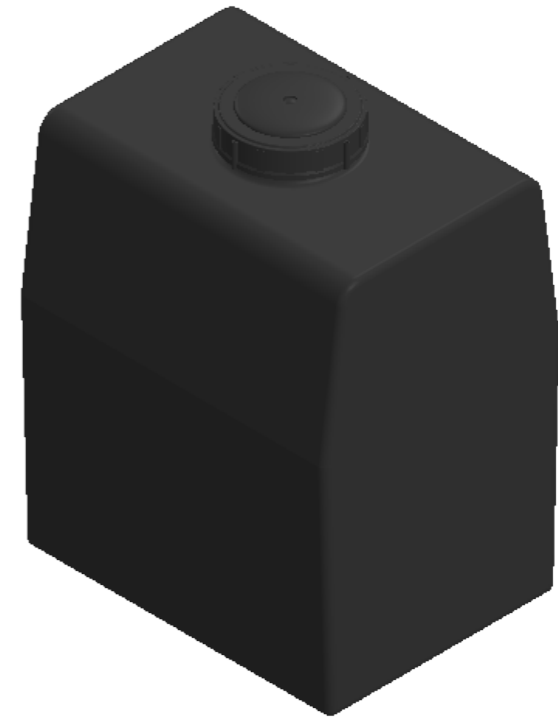
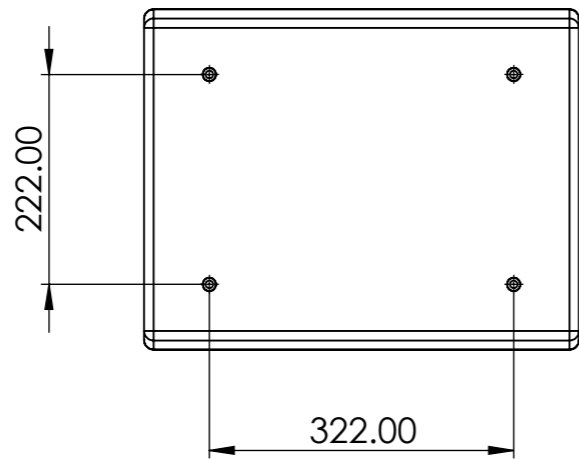
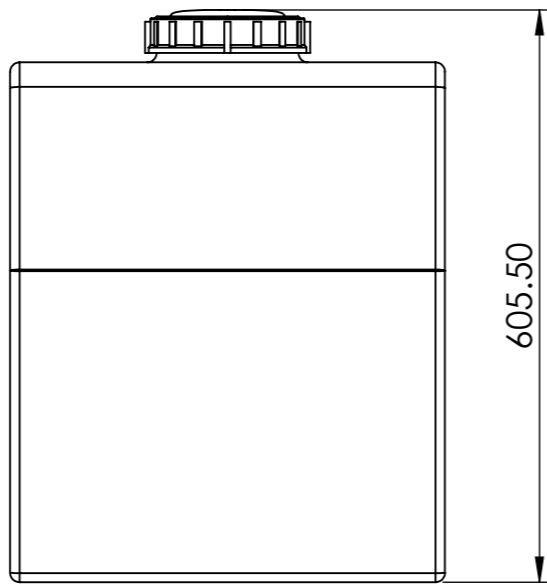
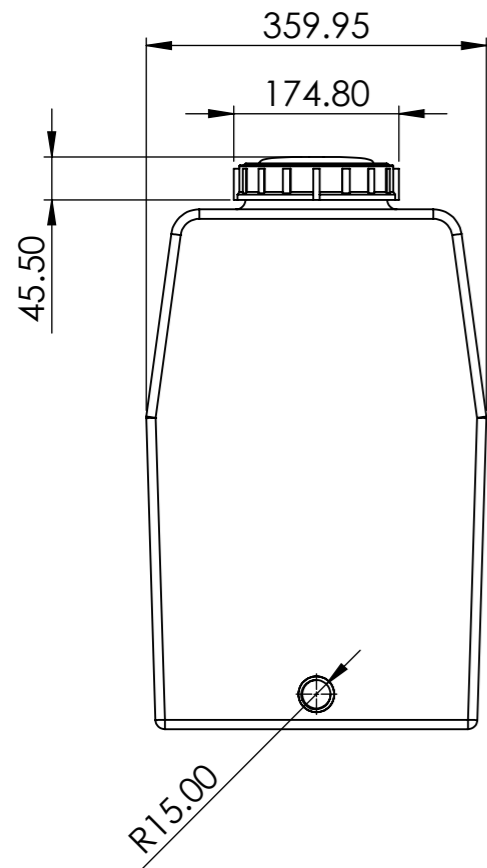
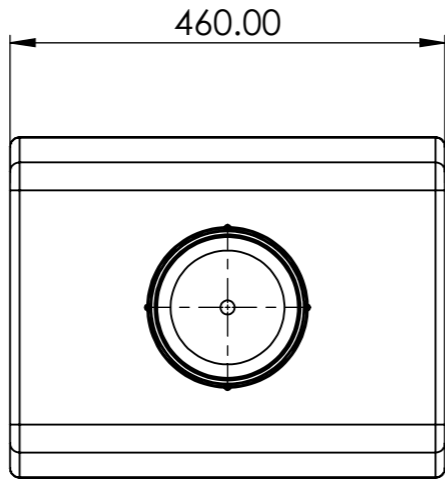



8 7 6 5 4 3 2 1



UNLESS OTHERWISE SPECIFIED: DIMENSIONS ARE IN MILLIMETERS SURFACE FINISH: TOLERANCES: LINEAR: ANGULAR:				FINISH:		DEBURR AND BREAK SHARP EDGES		 165 GR-HW75 G.A. Drawing	
DRAWN Ryan B		SIGNATURE		DATE 20/05/24		REVISIONS			
CHK'D								DESCRIPTION Poly Tank 75 litres (C1)	
APPVD									
MFG								SCALE:1:8 SHEET 1 OF 1	
Q.A						MATERIAL:			
						WEIGHT:			

8 7 6 5 4 3 2 1

F
E
D
C
B
A

F
E
D
C
B
A