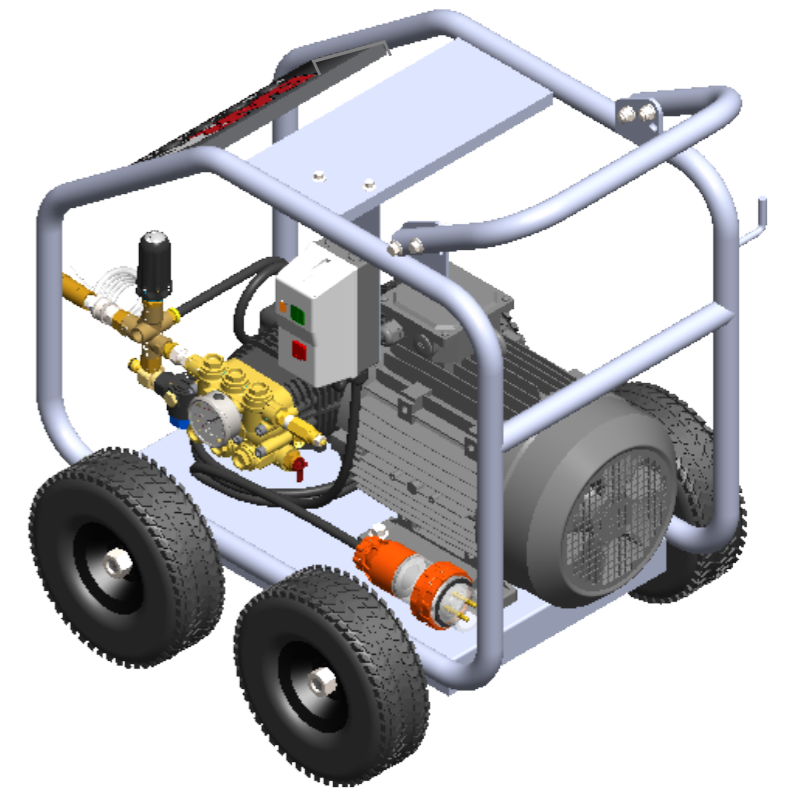
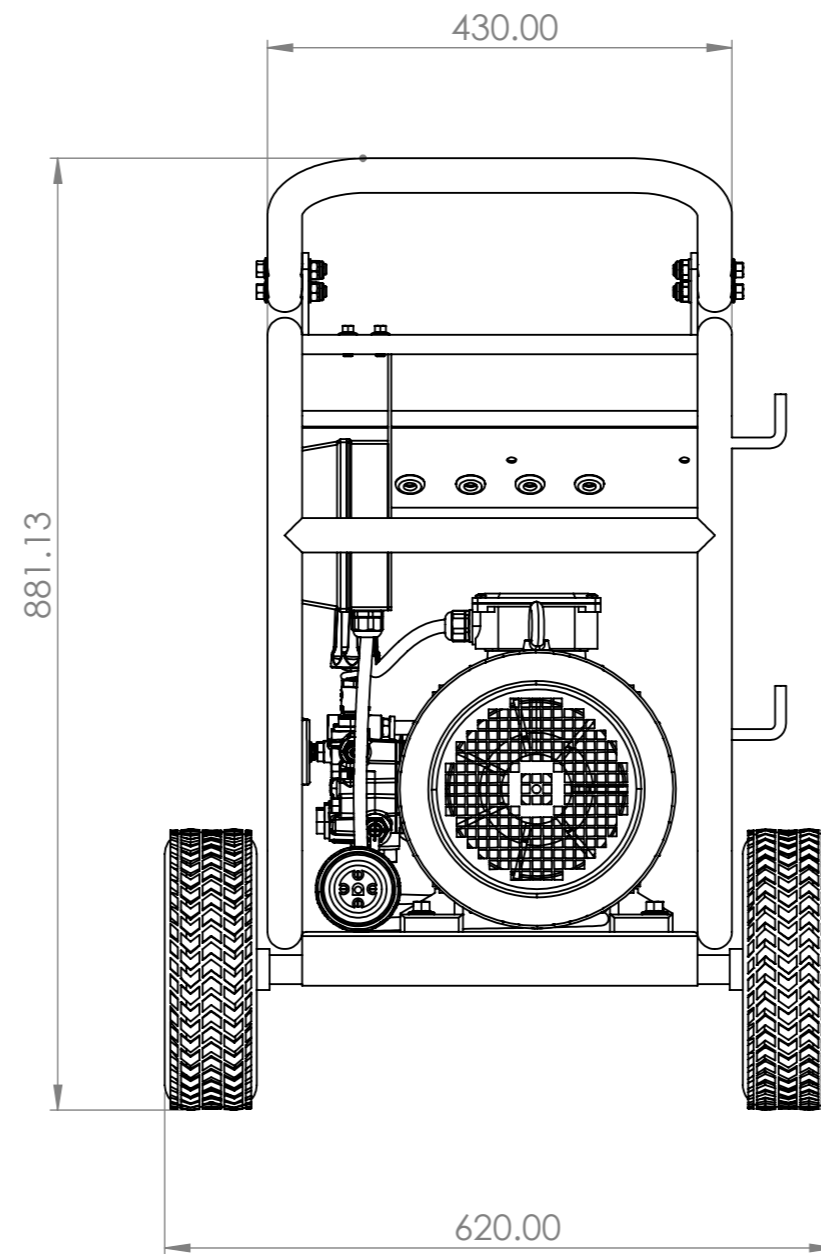
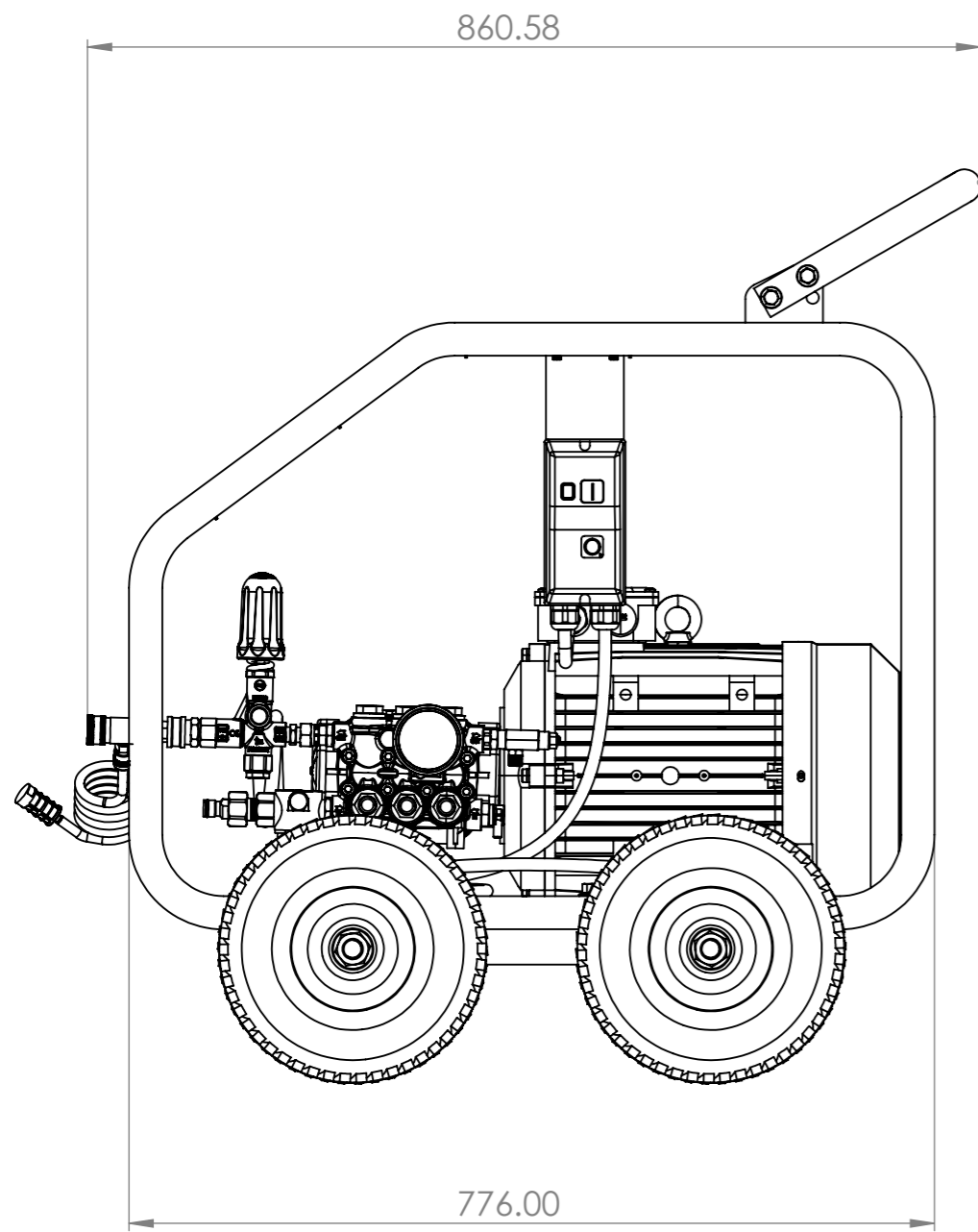



8 7 6 5 4 3 2 1

F
E
D
C
B
A

F
E
D
C
B
A



UNLESS OTHERWISE SPECIFIED: DIMENSIONS ARE IN MILLIMETERS SURFACE FINISH: TOLERANCES: LINEAR: ANGULAR:				FINISH:		DEBURR AND BREAK SHARP EDGES		 104 HD302174 G.A. dwg	
DRAWN		Kishwar A		SIGNATURE		DATE			
CHK'D		Dominic R				16/02/23			
APPVD		Daryl B							
MFG									
Q.A								MATERIAL:	
								WEIGHT:	
DESCRIPTION								Overall Dimensions	
SCALE:1:10								SHEET 1 OF 1	

8 7 6 5 4 3 2 1

A3