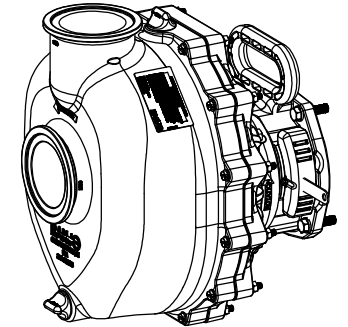
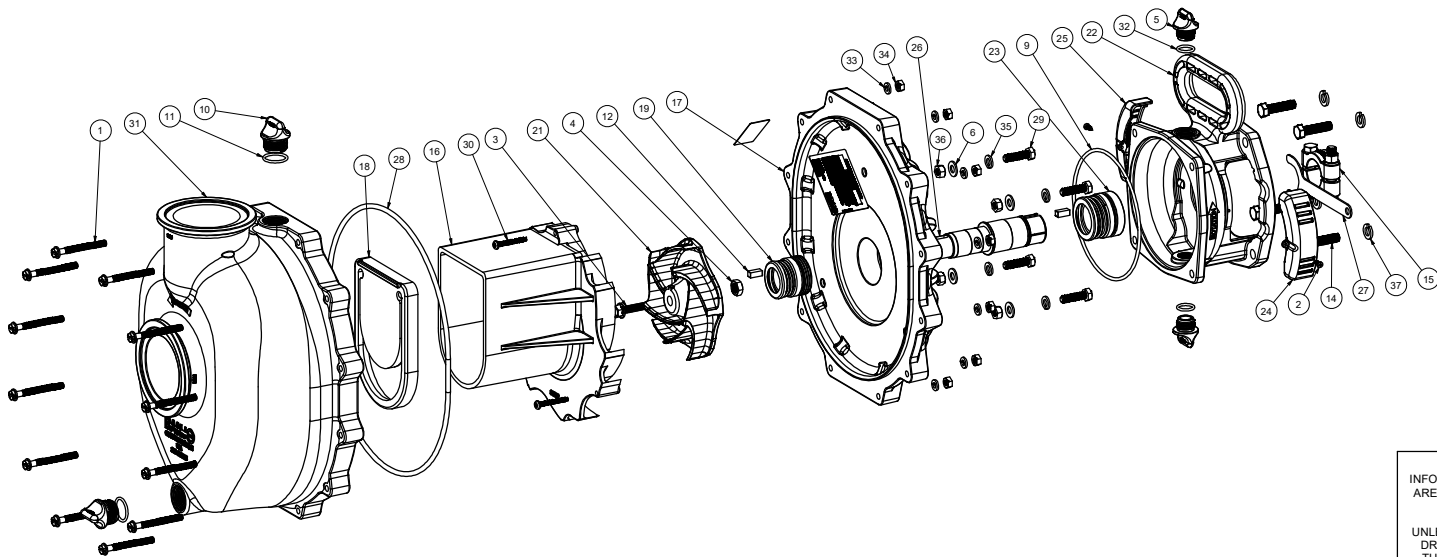


		Parts List	
ITEM	QTY	PART NUMBER	DESCRIPTION
1	12	12720	1/4-20 X 2 1/2" SL. IND. HEX WASHER HEAD SCREW
2	2	12725	#6 X 1/2" PPH SMS
3	1	12765A	5/16-24 X 1 1/8" HFS
4	1	12775A	7/16-14 HEX NUT
5	2	12777	1/2" DRAIN PLUG
6	8 (4 SHOWN)	12901	5/16" FLAT WASHER
7	1	12910	PUMP WARNING LABEL
8	1	12911D	PUMP PSI DECAL
9	1	13719	AS568A-256 O-RING, EPDM, BLACK
10	2	13777	3/4" DRAIN PLUG, MOLDED
11	2	13778	AS568A-119 O-RING, EPDM, BLACK
12	2	16901	1/4" SQ. X 3/4" KEY
13	4 (N/S)	17034	5/16-18 X 1-1/2" HHCS
14	4	18027	3/8-16 X 1 1/2" HHCS
15	1	18029	CLAMP
16	1	35002	M350 DIFFUSER
17	1	35004	M350 REAR BRACKET
18	1	35005	3" WET SEAL POLY PUMP CHECK VALVE
19	1	35013E	1.125" MECHANICAL SEAL, EPDM, INDIV BOX
20	2 (N/S)	35033	Z-RAIL FOR M350PH13W
21	1	35073	M350 5-VANE IMPELLER
22	1	35201	M350 WET SEAL RESERVOIR
23	1	35213E	1.375" MECHANICAL SEAL, EPDM, INDIV BOX
24	1	35246GL	LEFT SHAFT GUARD FOR M350P
25	1	35246GR	RIGHT SHAFT GUARD FOR M350P
26	1	36255	3" WET SEAL POLY PUMP SHAFT ADAPTER FOR I13H
27	1	35901	350 PUMP SEAL SPACING TOOL
28	1	A380E	AS568 #380 EPDM O-RING
29	4	B0516125	5/16-18 X 1 1/4" HHCS
30	3	B1014150TS	#10 X 1 1/2" THREAD FORMING SCREW, 18-8 SS
31	1	M35012	M350 MANIFOLD BODY
32	2	UV15163	AS568A-114 O-RING, EPDM, BLACK
33	12	V07018	1/4" LOCKWASHER
34	12	V07019	1/4"-20 S.S. HEX NUT
35	8 (4 SHOWN)	V10118	5/16" LOCKWASHER
36	8 (4 SHOWN)	V10119	5/16"-18 SS NUT
37	4	V20018	3/8" LOCKWASHER



THIS DRAWING AND ALL INFORMATION CONTAINED THEREON ARE THE EXCLUSIVE PROPERTY OF BANJO CORPORATION.

UNLESS SPECIFICALLY NOTED, THIS DRAWING AND ITEMS SHOWN ON THIS DRAWING ARE SUBJECT TO CHANGE AT ANY TIME.

BANJO CORPORATION
150 BANJO DRIVE, CRAWFORDSVILLE, IN 47933
WEB SITE: WWW.BANJOCORP.COM
E-MAIL: BANJO.SALES@IDEXCORP.COM

DESCRIPTION
3" Wet Seal Poly Pump
PART NUMBER
M350POW