

4

3

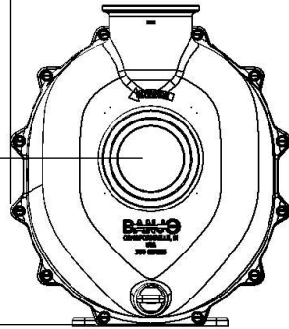
2

1

Parts List

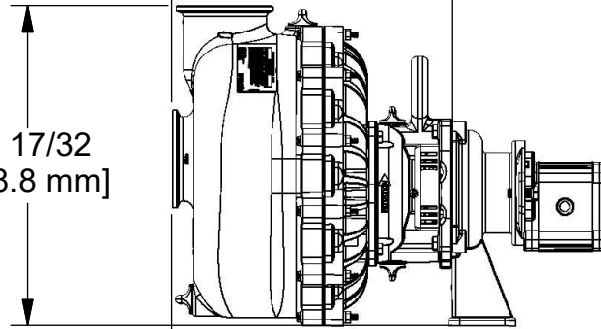
ITEM	QTY	PART NUMBER	DESCRIPTION
1	1	M350PHAW	3" M350- PUMP WITH HYD. PEDESTAL
2	1	HY10131B	MARZOCCHI HYD. MOTOR ALM2A 9.6 C.C.

12 $\frac{23}{32}$
[322.8 mm]



12 $\frac{3}{4}$
[323.7 mm]

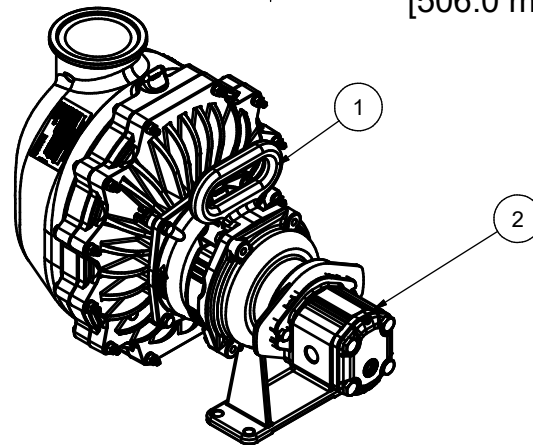
14 $\frac{17}{32}$
[368.8 mm]



19 $\frac{29}{32}$
[506.0 mm]

MARZOCCHI HYDRAULIC MOTOR:
ALM2A-R-13-AC9/16-FG-V-E1-HS-P870
DISPLACEMENT 9.6 C.C.
MAX R.P.M. 4000
MAX CONT. PRESSURE 250 BAR

OIL DRAIN LINE MUST BE CONNECTED TO TANK:
MAX PRESSURE ADMISSIBLE 5 BAR



BANJO CORPORATION

150 BANJO DRIVE, CRAWFORDSVILLE, IN 47933
WEB SITE: WWW.BANJOCORP.COM
E-MAIL: BANJOSALES@IDEXCORP.COM

DESCRIPTION
3" EVERGLADE PUMP W. EUROPEAN
HYD. MOTOR

PART NUMBER
M350PHYWE

THIS DRAWING AND ALL
INFORMATION CONTAINED THEREON
ARE THE EXCLUSIVE PROPERTY OF
BANJO CORPORATION.

UNLESS SPECIFICALLY NOTED, THIS
DRAWING AND ITEMS SHOWN ON
THIS DRAWING ARE SUBJECT TO
CHANGE AT ANY TIME.

4

3

2

1