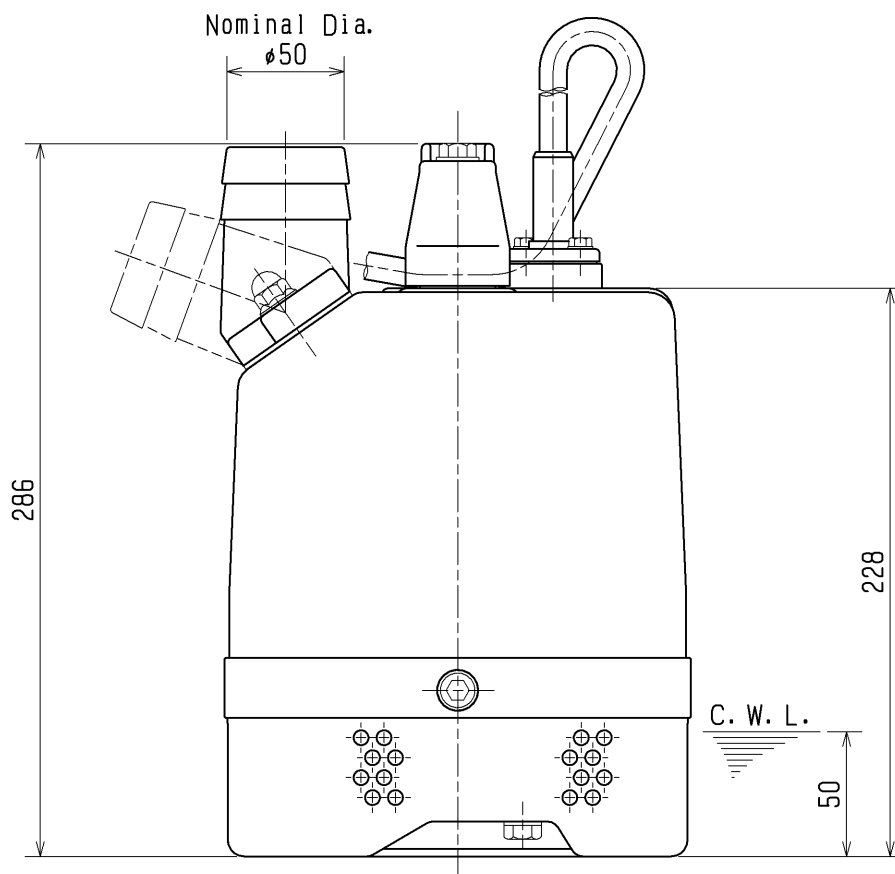
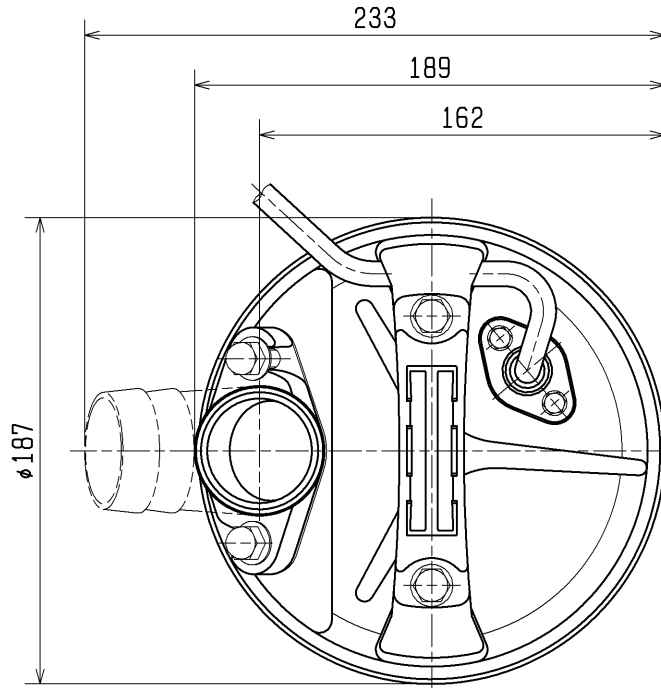


DIMENSION DRAWING		No.	No. A-23870-1
TYPE	Submersible Portable Dewatering Pump	MODEL	LB-480 -52/62 LB-480 -53/63

MODEL	Approximate Weight (kg)
LB-480-52/62	10.4kg
LB-480-53/63	10.4kg

*excluding cable



C. W. L. :Continuous running Water Level