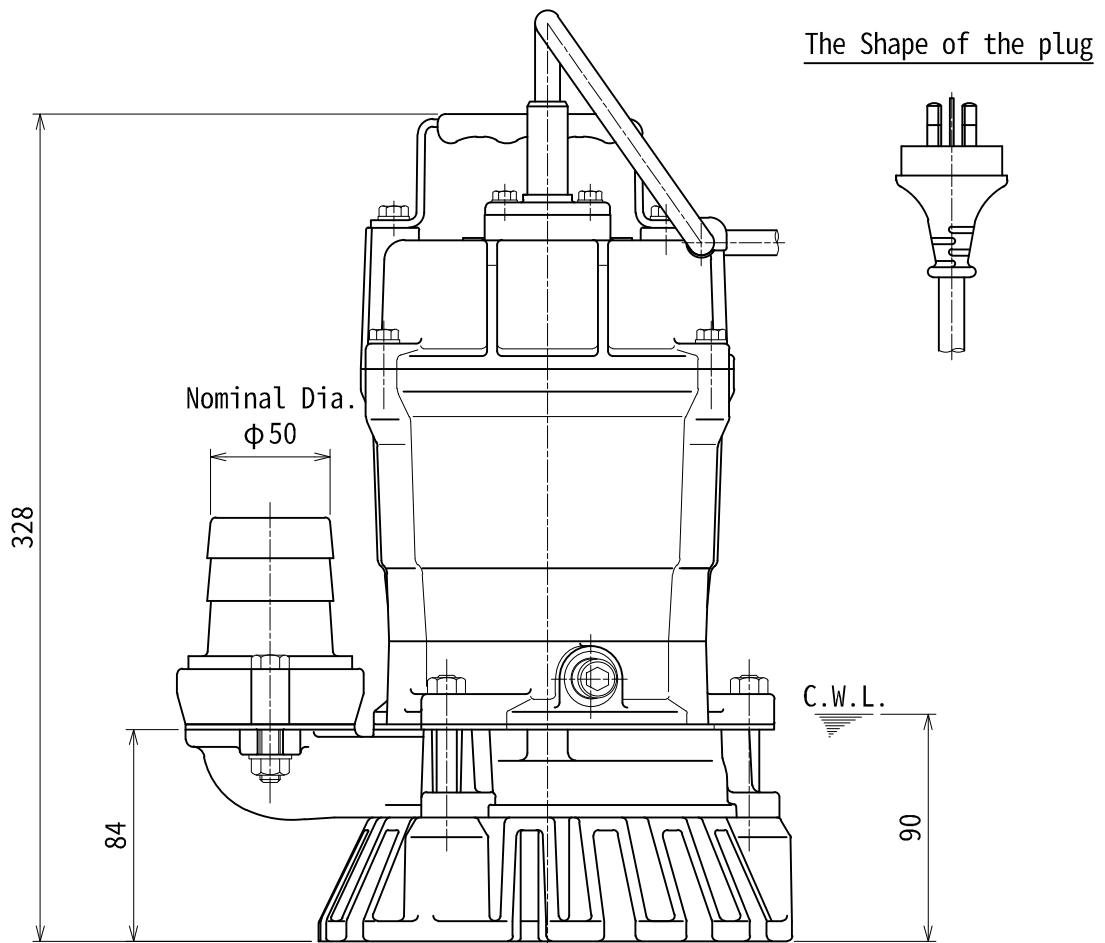
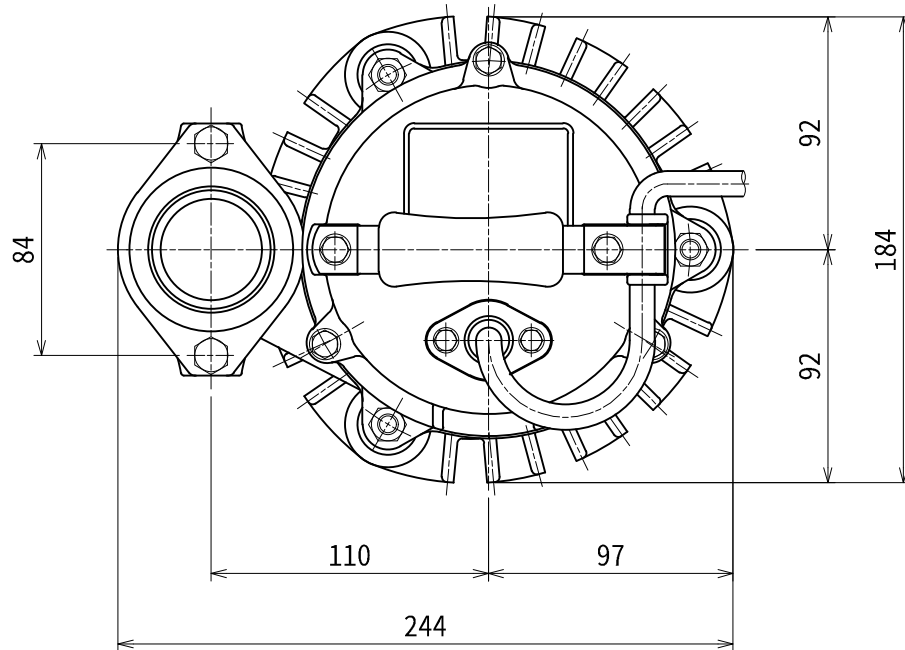


DIMENSION DRAWING		No.	No. J4-21845-3
TYPE	Submersible Portable Dewatering Pump	MODEL	HS2.4S -53/63

Approximate
Weight(※)
11.3kg
※excluding cable



C.W.L.:Continuous running Water Level