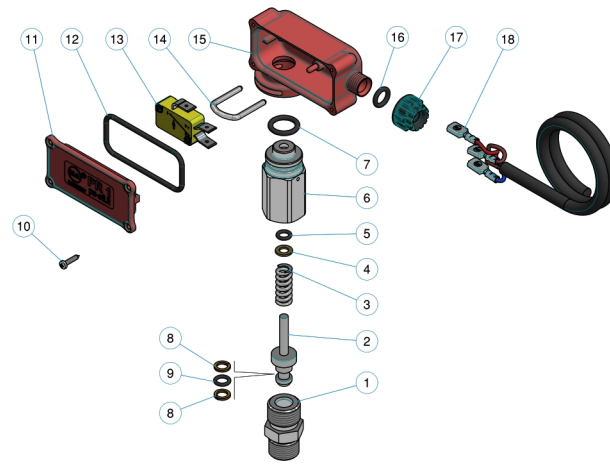


29.0010.00 PR1 press.sw.,sst,3/8M Bsp 45bar black

29.0010.25 PR1 press.sw.,sst,3/8M Bsp 2,5MPa red



Pos.	P/N	Description	Q.ty	K1	K2	K3	K4		Pos.	P/N	Description	Q.ty	K1	K2	K3	K4	
1	29.0011.51R	Nipple, M18x1,5-3/8M Bsp Sst.	1					5	10	16.3020.00R	S/tapp. screw, 2,5x12mm chrom	4					10
2	29.0002.51R	Piston, PR1 Sst.	1					5	11	29.0007.84R	Lid, PR1 PA red	1					1
3	29.0016.51R	Spring, 2x9x22 mm Sst.	1					10	12	10.3210.42R	O-ring, 2,62x42,52 mm	1					10
3	29.0015.51R	Spring, 1,8x22 mm Sst. (1)	1					10	13	12.5001.00R	Microswitch, 16A 250V	1					10
4	14.3564.00R	Washer, 5,3x9,5x1 mm brass	1					10	14	40.5001.51R	Retainer, Sst.	1					10
5	10.3049.01R	O-ring, 1,78x5,28 mm	1	•				10	15	29.0006.84R	Casing, PR1 PA red	1					2
6	29.0012.51R	Housing -PR1, Sst.	1					2	16	10.3109.92R	O-ring, 2,4x7,3 mm	1					10
7	10.3177.00R	O-ring, 2,62x12,37 mm	1					10	17	29.0082.84R	Locknut for cable gland, PA black	1					10
8	10.4006.01R	Back-up ring, opn. 6,2x9x1,2 mm	2	•				10	18	29.0109.84R	Locknut for cable gland, PA red (1)	1					10
9	10.3051.00R	O-ring, 1,78x6,07 mm Vi 70	1	•				10	18	12.5000.00R	Cable, 3x1 L.1200 mm	1					10

Kit	P/N	Description	
K1	29.0026.24	Repair kit -PR16, 1x3pcs.	1

(1) 29.0010.25