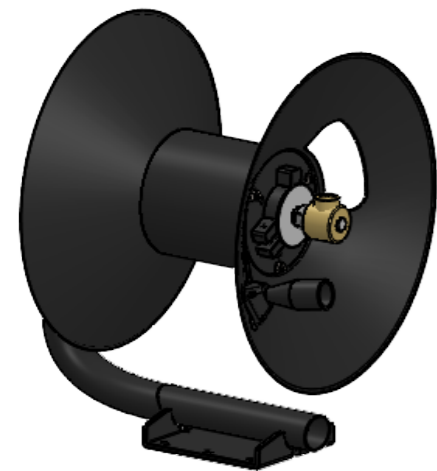
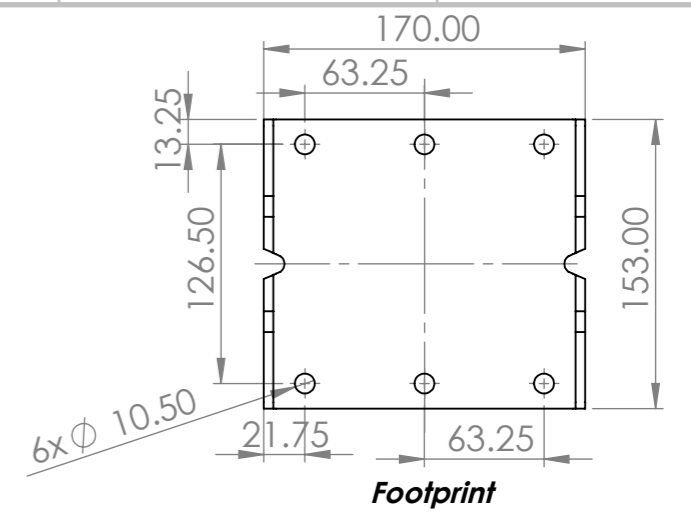
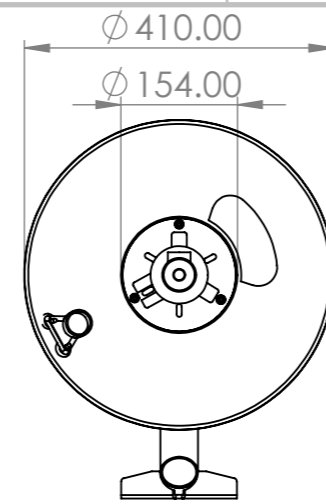
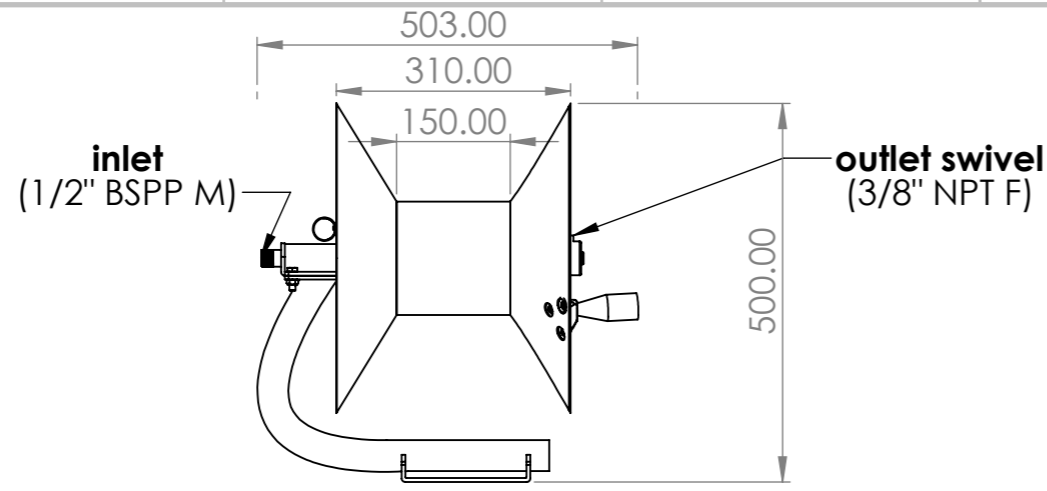
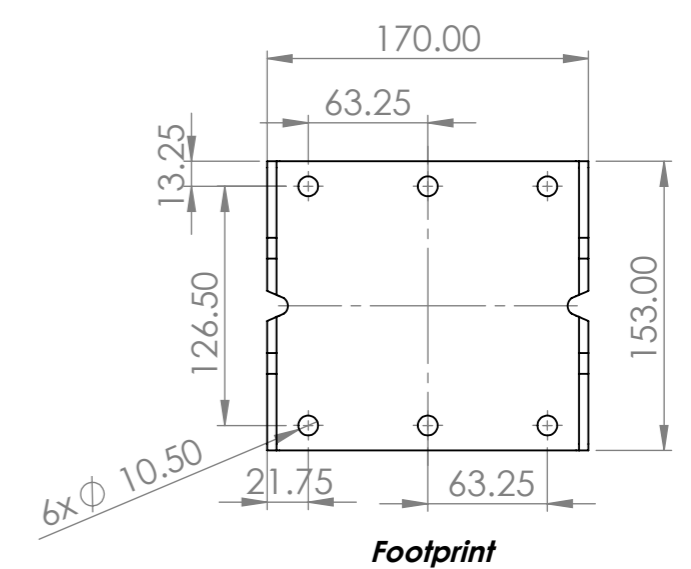
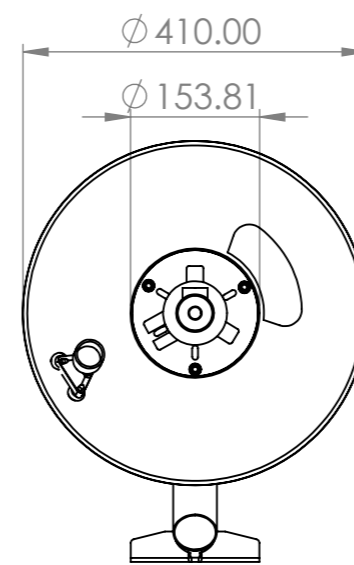
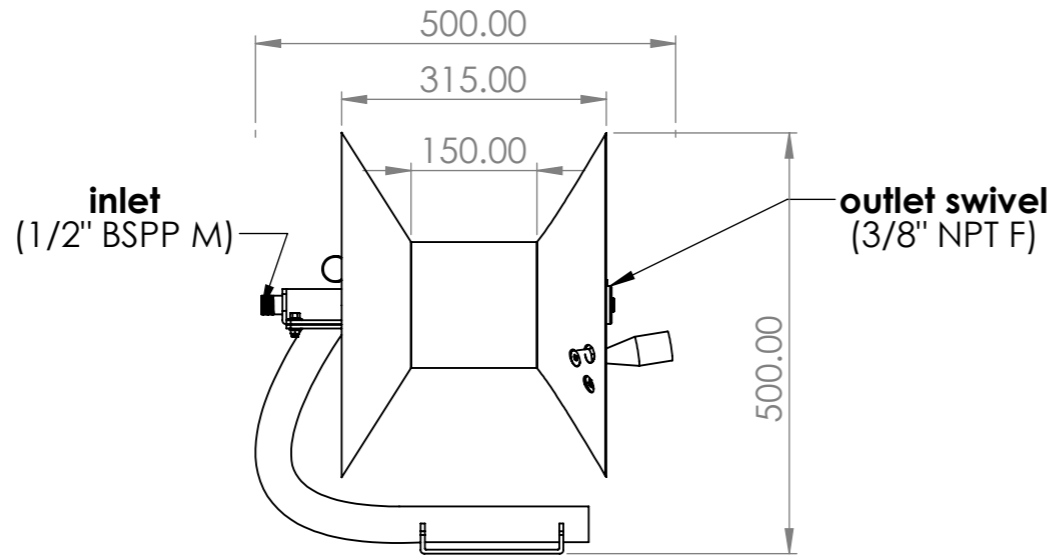


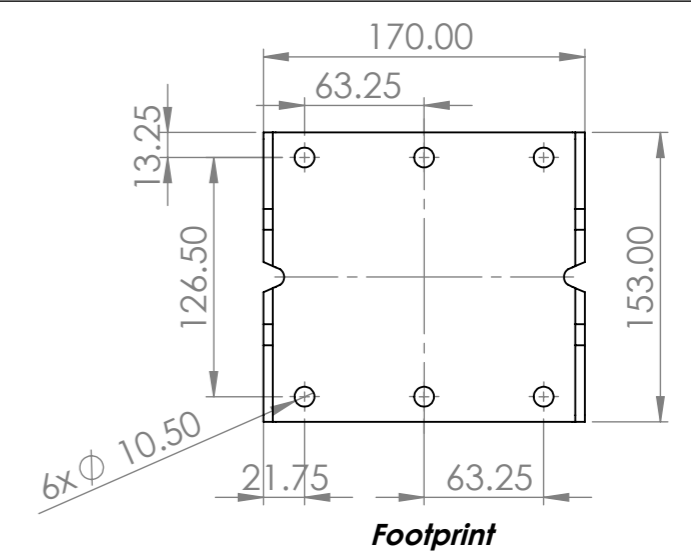
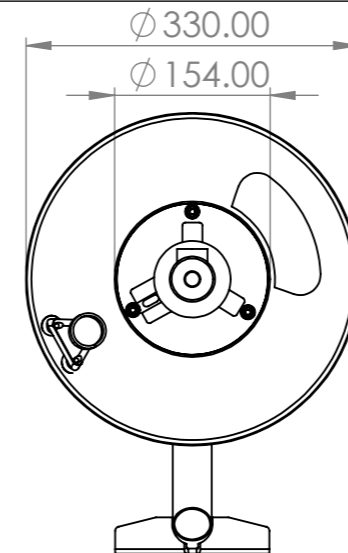
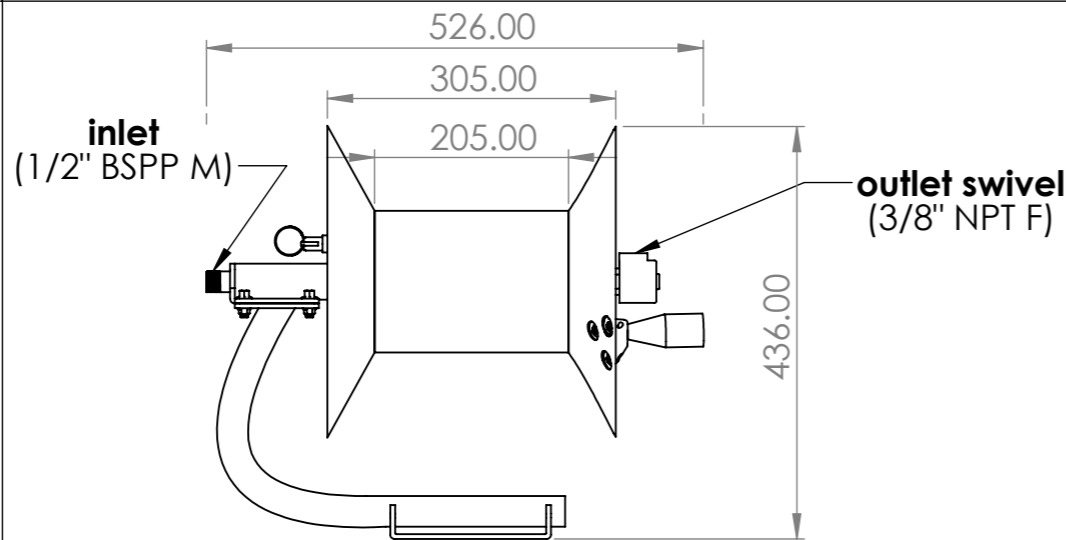
125 85.402.099(SS)



125 85.402.100



125 85.402.102



Note: The product may slightly vary in appearance.

UNLESS OTHERWISE SPECIFIED: DIMENSIONS ARE IN MILLIMETERS SURFACE FINISH: TOLERANCES: LINEAR: ANGULAR:			FINISH:		DEBURR AND BREAK SHARP EDGES				
DRAWN		SIGNATURE		DATE		REVISIONS			
CHK'D		SIGNATURE		DATE		REVISIONS		PART NO. / PRODUCT	
APPVD		SIGNATURE		DATE		REVISIONS		125 85.402.099-100-102 Hose Reels	
MFG		SIGNATURE		DATE		REVISIONS		DESCRIPTION	
Q.A		SIGNATURE		DATE		REVISIONS		Overall Dimensions	
		MATERIAL:		WEIGHT:		SCALE:1:5		A3	
						SHEET 1 OF 1			