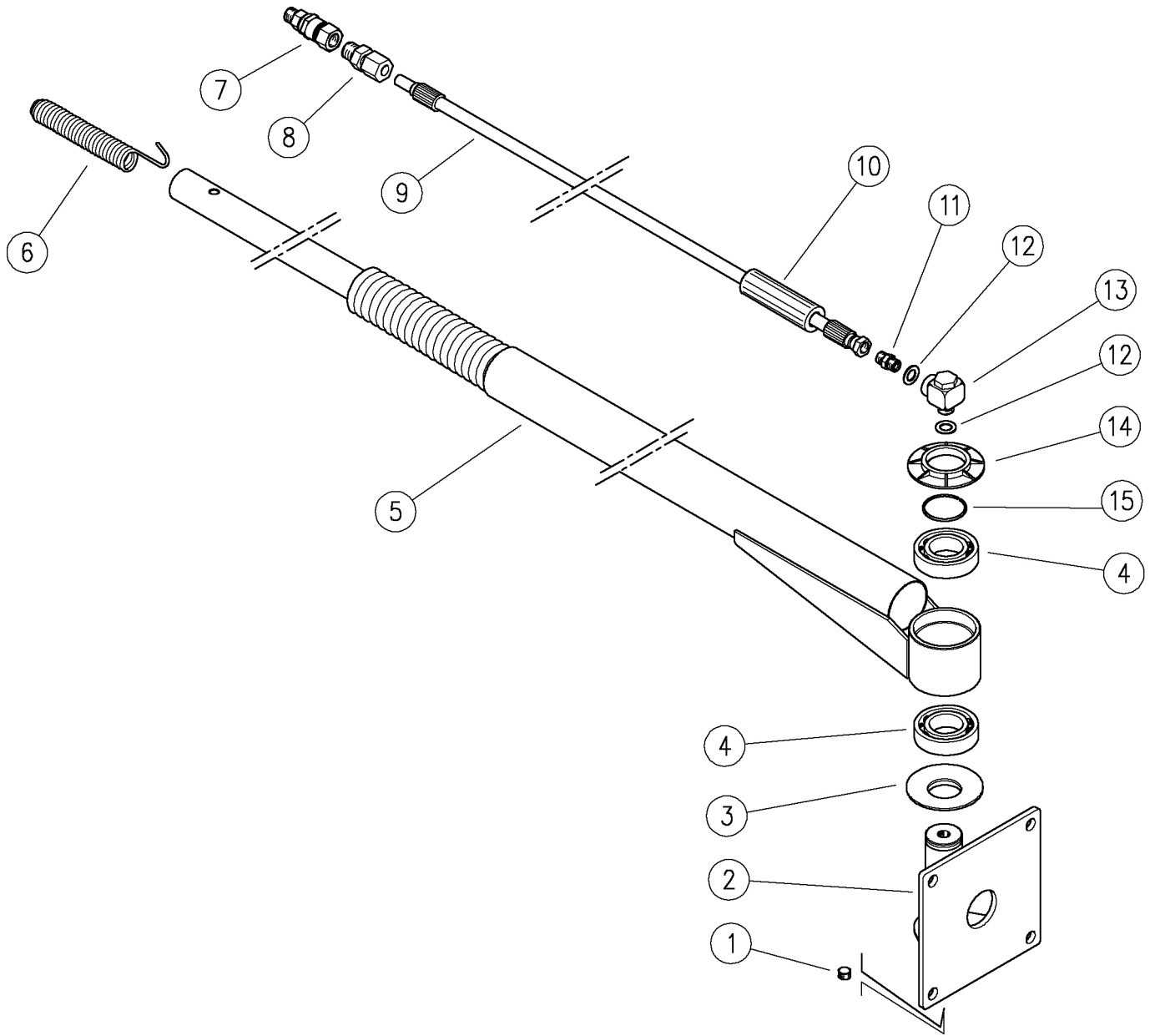




28.3060.00 BTR 1750 wall mount boom

28.3060.25 BTR 2500 wall mount boom



Pos.	P/N	Description	Q.ty	K1	K2	K3	K4	
1	28.0364.31	1/4 Bsp tapered plug	1					10
2	28.3061.21	Wall frame	1					1
3	28.3001.84	Bearing protector	1					10
4	11.4439.68	40 mm ball bearing	2					2
5	28.3012.21	Sst 1750 mm arm (28.3060.00)	1					1
5	28.3027.21	Sst 2500 mm arm (28.3060.25)	1					1
6	28.3003.51	Sst 150 mm spring	1					5
7	26.1200.40	SW25 Swivel 3/8Bsp F-M	1					5
8	13.5023.00	Stright nipple	1					5

Pos.	P/N	Description	Q.ty	K1	K2	K3	K4	
9	16.0510.19	1,9 m flex.hose (28.3060.00)	1					1
9	16.0510.25	2,650 m flex.hose (28.3060.25)	1					1
10	28.3064.85	Hose protector	1					10
11	13.5006.00	Z.pl.1/4 Bsp MM nipple	1					25
12	14.3813.22	All.washer 13,2 x 22 mm	2					25
13	26.1300.20	SW90 Swivel 90° 1/4Bsp MF	1					5
14	28.3004.84	D.44 mm lower seal	1					10
15	28.3002.51	Sst snap ring	1					10